

WESTLAKE CIVIC TRACT C-2 REPLAT

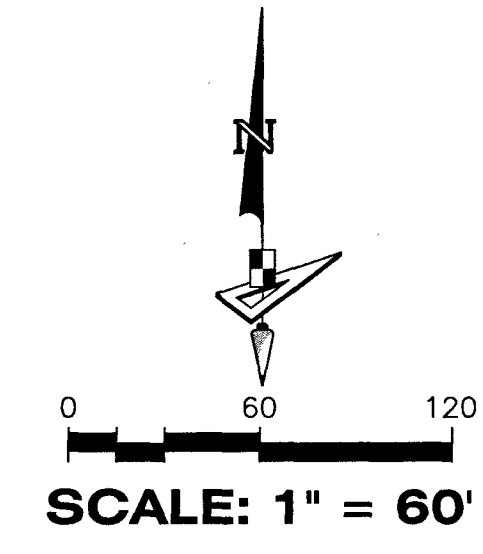
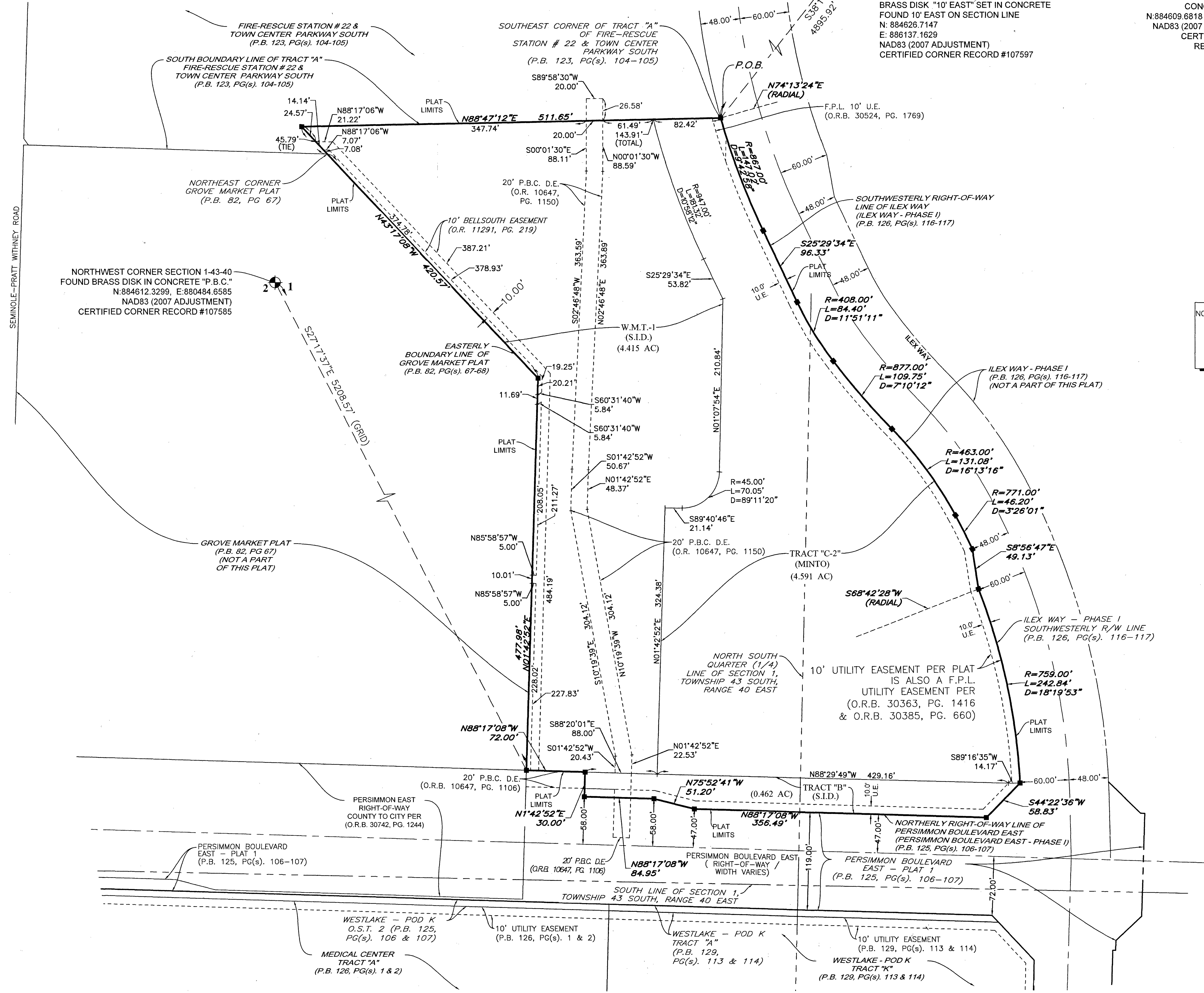
BEING A REPLAT OF TRACT "C-2" OF THE PLAT OF WESTLAKE CIVIC TRACT C-2, PLAT BOOK 128, PAGES 33 AND 34, AND A REPLAT OF W.M.T.#1 AND O.S.T. 1 OF THE PLAT OF PERSIMMON BOULEVARD EAST - PLAT 1, PLAT BOOK 125, PAGES 106 AND 107, PUBLIC RECORDS OF PALM BEACH COUNTY, FLORIDA. LYING IN SECTION 1, TOWNSHIP 43 SOUTH, RANGE 40 EAST, CITY OF WESTLAKE, PALM BEACH COUNTY, FLORIDA.

74

BASIS OF BEARING
NORTH BOUNDARY OF SECTION 6, TOWNSHIP 43 S., RANGE 41 E., S.89°48'53"E., 5270.23' (MEASURED)
S.89°48'52"E., 5270.39' (COUNTY)

NORTHEAST CORNER OF SECTION 1, TOWNSHIP 43 S., RANGE 40 E. SET 3.5" IRON PIPE "PUBLIC LAND SURVEY CORNER-TALLAHASSEE MERIDIAN" BRASS DISK "10" EAST" SET IN CONCRETE FOUND 10' EAST ON SECTION LINE
N: 884626.7147
E: 886137.1629
NAD83 (2007 ADJUSTMENT)
CERTIFIED CORNER RECORD #107597

NORTHEAST CORNER SECTION 6-43-41 FOUND BRASS DISK IN CONCRETE "P.B.C."
N: 884609.6818 E: 891407.3638
NAD83 (2007 ADJUSTMENT)
CERTIFIED CORNER RECORD #107591



NOTICE: THIS PLAT, AS RECORDED IN ITS GRAPHIC FORM, IS THE OFFICIAL DEPICTION OF THE SUBDIVIDED LANDS DESCRIBED HEREIN AND WILL IN NO CIRCUMSTANCES BE SUPPLANTED IN AUTHORITY BY ANY OTHER GRAPHIC OR DIGITAL FORM OF THE PLAT. THERE MAY BE ADDITIONAL RESTRICTIONS THAT ARE NOT RECORDED ON THIS PLAT THAT MAY BE FOUND IN THE PUBLIC RECORDS OF THIS COUNTY.

- LEGEND**
- P.O.B. ----- POINT OF BEGINNING
 - P.B. ----- PLAT BOOK
 - D.B. ----- DEED BOOK
 - O.R./O.R.B. ----- OFFICIAL RECORDS BOOK
 - PG./PG(S) ----- PAGE(S)
 - O.S.T. ----- OPEN SPACE TRACT
 - P.B.C. ----- PALM BEACH COUNTY
 - R.P.B. ----- ROAD PLAT BOOK
 - NAD ----- NORTH AMERICAN DATUM
 - U.E. ----- UTILITY EASEMENT
 - R/W ----- RIGHT-OF-WAY
 - W.M.T. ----- WATER MANAGEMENT TRACT
 - S.I.D. ----- SEMINOLE IMPROVEMENT DISTRICT
 - 12-43-40 ----- SECTION-TOWNSHIP-RANGE
 - R ----- RADIUS
 - L ----- ARCH LENGTH
 - D ----- DELTA ANGLE
 - ----- FOUND PERMANENT REFERENCE MONUMENT
 - ----- SET PERMANENT REFERENCE MONUMENT
 - ----- INDICATES (S.I.R.) SET IRON ROD LB7768
 - ⊙ ----- PERMANENT CONTROL POINT

BASIS OF BEARINGS
BEARINGS SHOWN HEREON ARE BASED ON THE NORTH BOUNDARY OF SECTION 6, TOWNSHIP 43 SOUTH, RANGE 41 EAST, HAVING A GRID BEARING OF S.89°48'53"E. (MEASURED). BEARINGS SHOWN HEREON, REFER TO THE STATE PLANE COORDINATE SYSTEM, NORTH AMERICA DATUM OF 1983 (NAD 83 - 07) FOR THE EAST ZONE OF FLORIDA. SAID BASIS OF BEARING IS THE SAME IN THE NORTH AMERICAN DATUM OF 1983 (NAD 83 - 90).

GeoPoint
Surveying, Inc.

4152 W. Blue Heron Blvd.
Suite 105
Riviera Beach, FL 33404

Phone: (561) 444-2720
www.geopointsurvey.com
Licensed Business Number LB7768

Sheet No. 2 of 2 Sheets